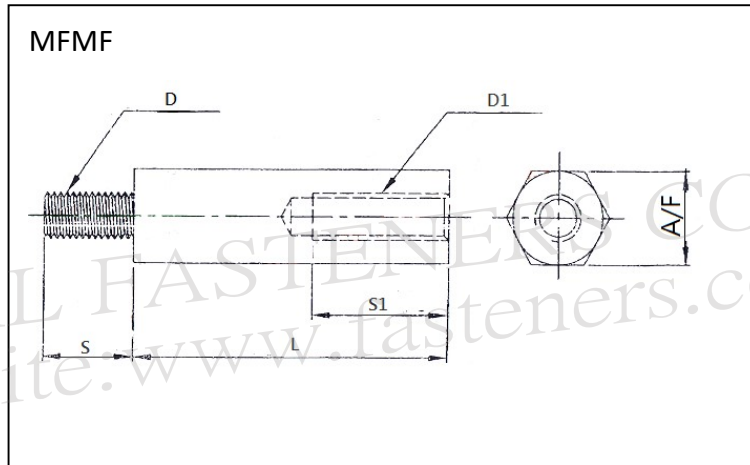


# METAL FASTENERS CO., LTD.

## MALE/FEMALE STANDOFFS 金屬間隔柱

### メタルスペーサー (オネジ/メネジ)



Material 材質: Steel 鋼 スチール / Brass 銅 真鍮

Finish 表面: Cr3+ Zinc 三價鋅 三価亜鉛メッキ / Plain 原色 脱脂 / Nickel 鍍 ニッケル

MFMF

Dimensions: ISO metric/mm

| PART CODE<br>產品編號<br>品番 | THREAD CODE<br>螺紋尺寸<br>呼び径 x<br>ピッチ<br>D / D1 | A/F | S<br>±0.15 | S1<br>(MIN) | L 長度/長さ<br>± 0.2 |    |    |    |    |  |    |    |    |    |    |    |    |    |    |
|-------------------------|---|-----|------------|-------------|------------------|----|----|----|----|--|----|----|----|----|----|----|----|----|----|
|                         |   |     |            |             |                  |    |    |    |    |  |    |    |    |    |    |    |    |    |    |
| MFMF-M3                 | M3*0.5  | 5   | 8          | 3           | 5                |    |    |    |    |  |    |    |    |    |    |    |    |    |    |
|                         |   |     |            | 4           | 8                |    |    |    |    |  |    |    |    |    |    |    |    |    |    |
|                         |   |     |            | 6           | 10               |    |    |    |    |  |    |    |    |    |    |    |    |    |    |
|                         |   |     |            | 8           |                  | 12 | 15 | 20 |    |  |    |    |    |    |    |    |    |    |    |
|                         |   |     | 10         | 10          |                  |    |    |    |    |  | 25 | 30 | 35 | 40 | 45 | 50 | 55 | 60 |    |
| MFMF-M4                 | M4*0.7  | 7   | 8          | 3           | 5                |    |    |    |    |  |    |    |    |    |    |    |    |    |    |
|                         |   |     |            | 4           | 8                |    |    |    |    |  |    |    |    |    |    |    |    |    |    |
|                         |   |     |            | 6           | 10               |    |    |    |    |  |    |    |    |    |    |    |    |    |    |
|                         |   |     |            | 8           |                  | 12 | 18 | 20 |    |  |    |    |    |    |    |    |    |    |    |
|                         |   |     | 10         | 10          |                  |    |    |    |    |  | 25 | 30 | 35 | 40 | 45 | 50 | 55 | 60 |    |
| MFMF-M5                 | M5*0.8  | 8   | 8          | 6           | 10               |    |    |    |    |  |    |    |    |    |    |    |    |    |    |
|                         |   |     |            | 8           |                  | 12 | 15 |    |    |  |    |    |    |    |    |    |    |    |    |
|                         |   |     |            | 10          |                  |    |    | 20 |    |  |    |    |    |    |    |    |    |    |    |
|                         |   |     |            | 10          | 10               |    |    |    |    |  |    | 25 | 30 | 35 | 40 | 45 | 50 | 55 | 60 |
| MFMF-M6                 | M6*1.0  | 10  | 12         | 6           | 10               |    |    |    |    |  |    |    |    |    |    |    |    |    |    |
|                         |   |     |            | 8           |                  | 12 | 15 |    |    |  |    |    |    |    |    |    |    |    |    |
|                         |   |     |            | 12          |                  |    |    | 20 | 25 |  |    |    |    |    |    |    |    |    |    |
|                         |   |     |            | 13          |                  |    |    |    |    |  |    | 30 | 35 | 40 | 45 | 50 | 55 | 60 |    |